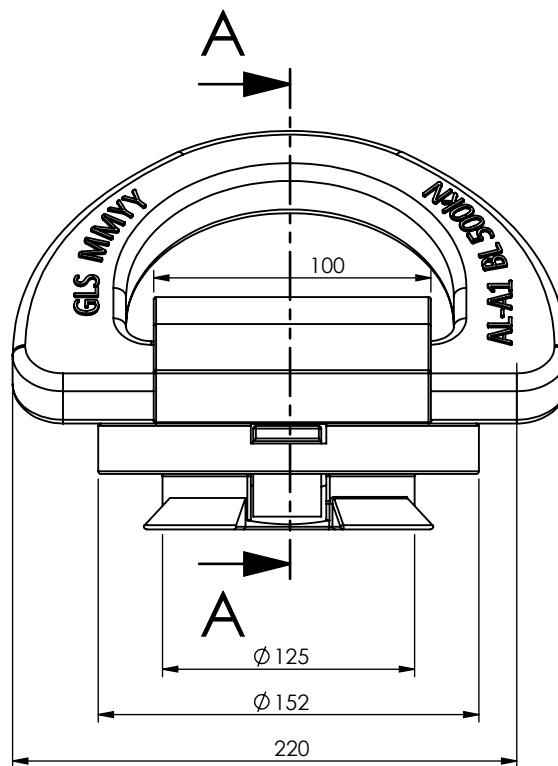


SECTION A-A

SCALE 1 : 3



Date: 29-09-2021

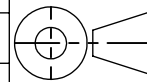
Revision no.: 001

Color/finish: Primed

Weight: 8.3kg

Material: Blank Steel

Comment: units in mm



Scale: 1:3

Drawn: K. van Puffelen

Checked: S. Saeys

Breech Base D-Ring - MBL = 50t



A4

Drawingno.:

AL-J1-50

© Van Doorn Container Parts BV. All parts contained in this document is protected by the intellectual works of van Doorn container parts BV. Any form of copying, manufacturing or distribution towards third parties is strictly forbidden without the written permission of Van Doorn Container Parts BV. All care has been taken to prevent incorrectness, however Van Doorn Container Parts BV cannot be held responsible for incompleteness resulting from information contained by this document. All rights are reserved by Van Doorn Container Parts BV.

www.containerparts.nl / vandoorn@containerparts.nl / +31 (0)10-4296030