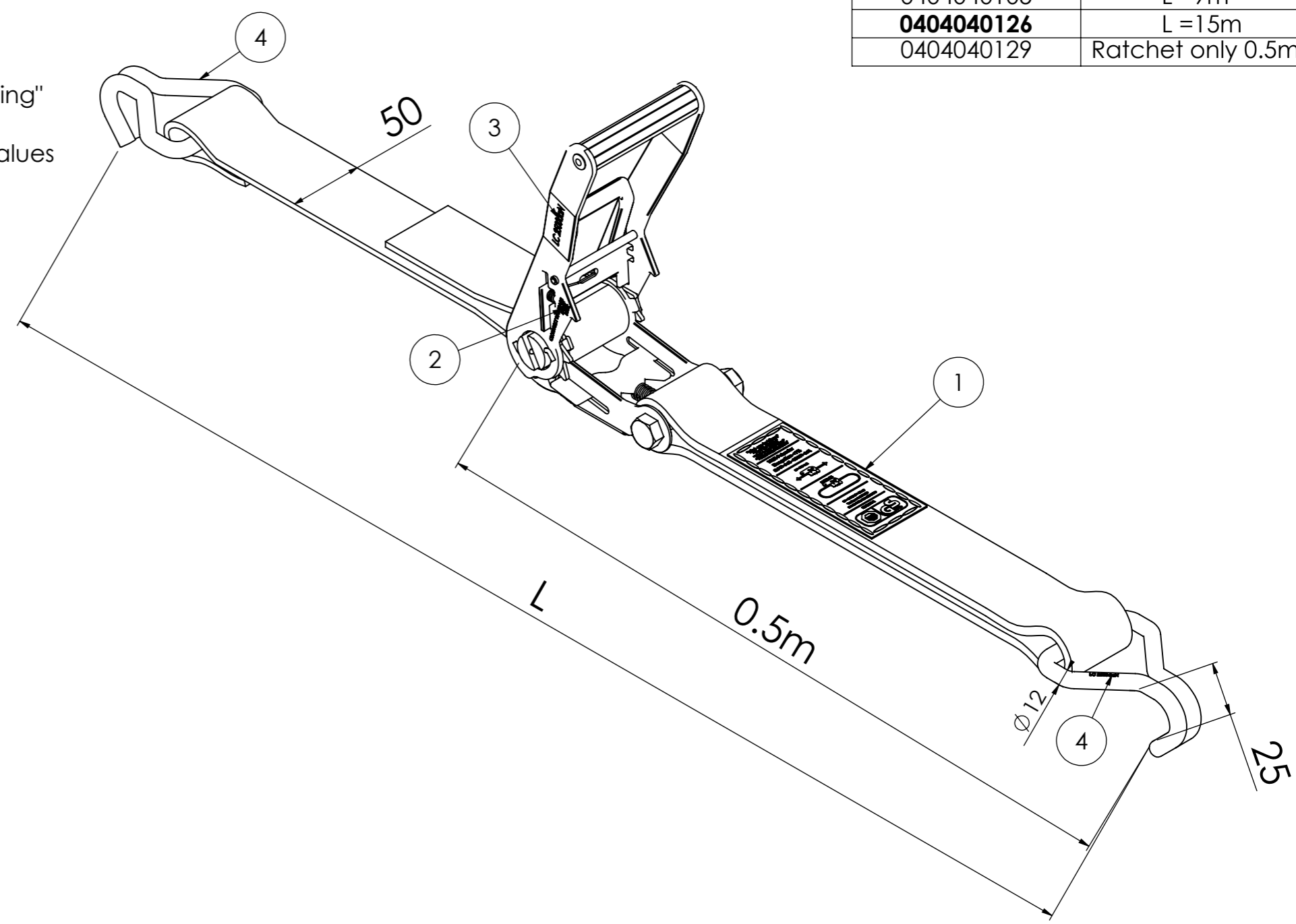
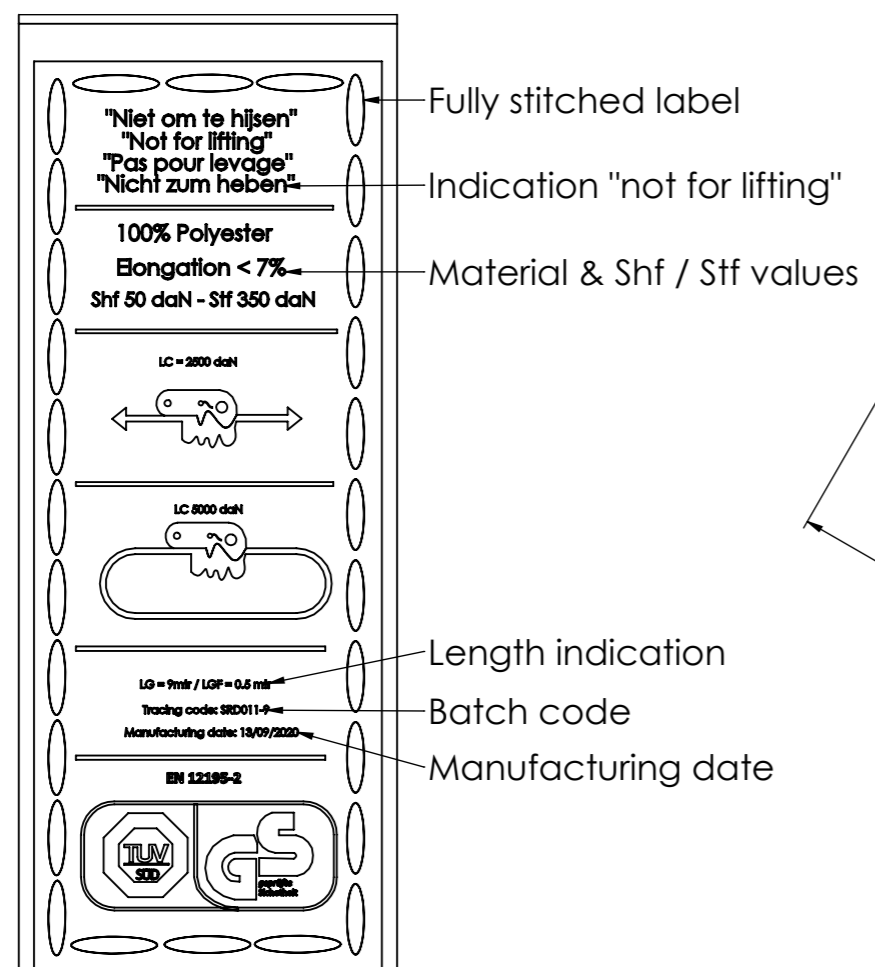


Article nr:	Configuration:
0404040105	L = 9m
<b>0404040126</b>	L = 15m
0404040129	Ratchet only 0.5m

1:



2: Safety indication:  
"Close fully to engage safety lock"

3: Indication lash capacity  
on ratched

4: Indication lash capacity  
on hook

Date: 20-11-2020	Revision no.: 001		Scale: 1:3
Color/finish: satin gold / blue	Weight: 5kg		Drawn: K. van Puffelen
Material: Polyester & Steel	Comment: units in mm		Checked: S. Saey

Webbing with ratchet - Lc = 2500 daN - Mbl = 5t Length = 15 mtr (0.5 mtr + 14.5 mtr)



Drawingno.:  
**A3**  
**0404040126**

© Van Doorn Container Parts BV. All parts contained in this document is protected by the intellectual works of van Doorn container parts BV. Any form of copying, manufacturing or distribution towards third parties is strictly forbidden without the written permission of Van Doorn Container Parts BV. All care has been taken to prevent incorrectness, however Van Doorn Container Parts BV cannot be held responsible for incompleteness resulting from information contained by this document. All rights are reserved by Van Doorn Container Parts BV.