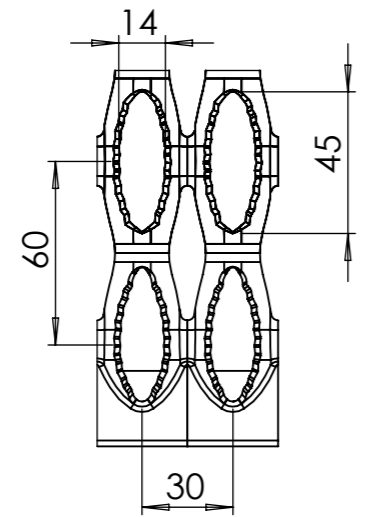
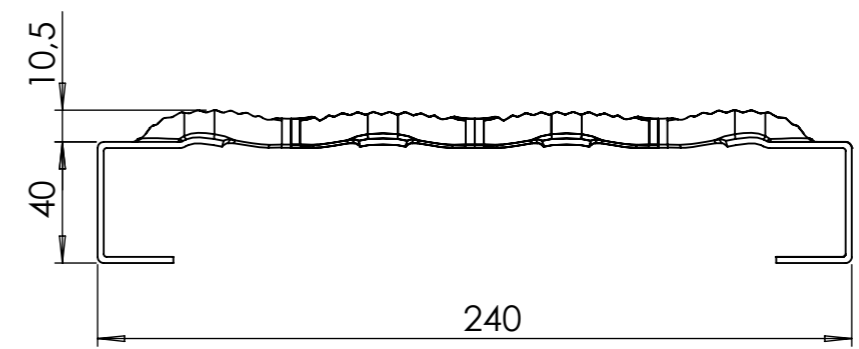
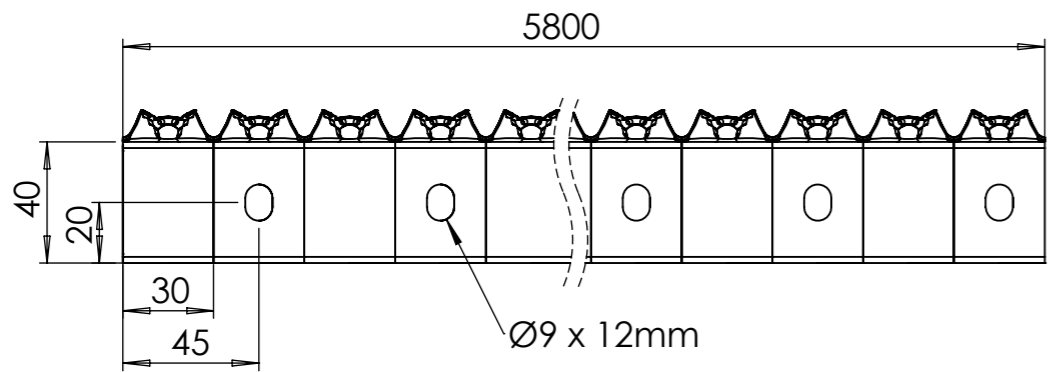
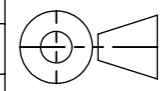


A



DETAIL A SCALE 2 : 5

Date: 22-12-2020	Revision no.: 001		Scale: 1:2.5 / 1:5
Color/finish: -	Weight: 11kg		Drawn: K. van Puffelen
Material: Aluminum	Comment: units in mm		Checked: S. Saey

Walkway Aluminum 240 x 50 x 2.5mm L = 5800mm



A3	Drawingno.:
	1414741244I

© Van Doorn Container Parts BV. All parts contained in this document is protected by the intellectual works of van Doorn container parts BV. Any form of copying, manufacturing or distribution towards third parties is strictly forbidden without the written permission of Van Doorn Container Parts BV. All care has been taken to prevent incorrectness, however Van Doorn Container Parts BV cannot be held responsible for incompleteness resulting from information contained by this document. All rights are reserved by Van Doorn Container Parts BV.