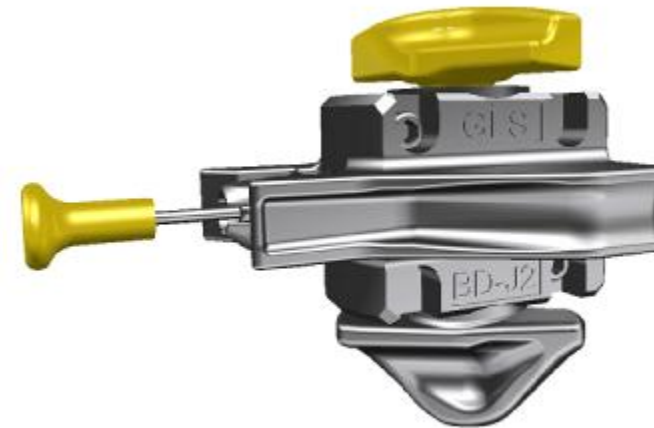
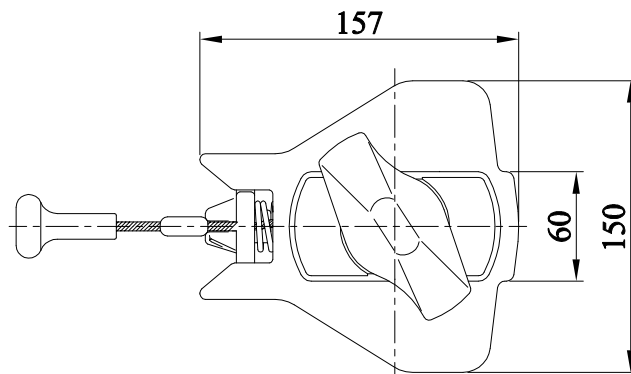
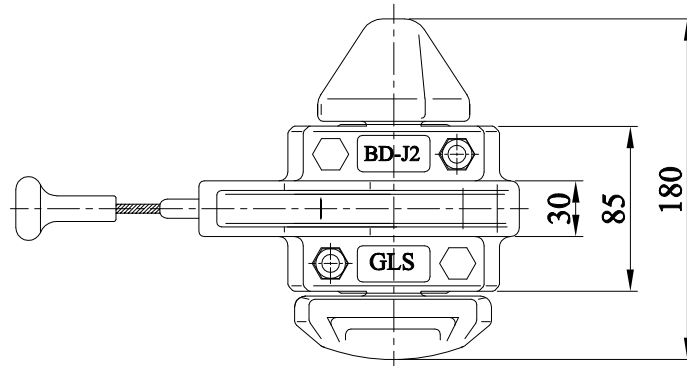


# SEMI-AUTOMATIC TWISTLOCK (LARGE SEAT)

BD-J2



LOADS	SHEAR [KN]	TENSION [KN]
BREAKING LOAD	420	500
SAFE WORKING LOAD	210	250

TOTAL WEIGHT	5.45 KG
MATERIAL	FORGED STEEL
FINISH	HOT DIP GALVANISED