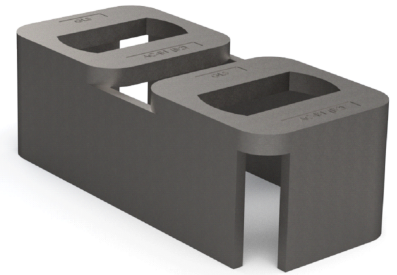
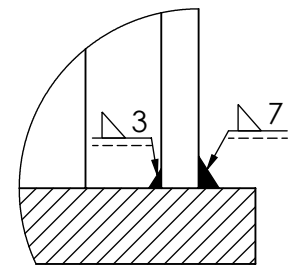
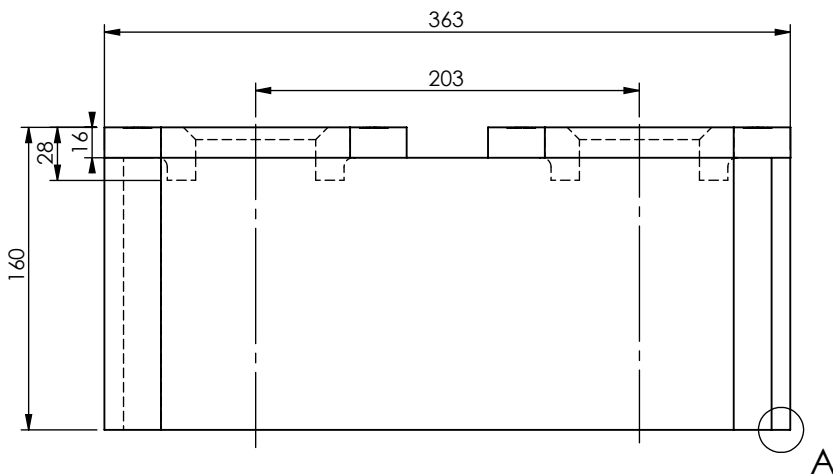


4-Center Points



Welding information:



Detail A SCALE 1 : 2

| Load type               | Shear  | Tension |
|-------------------------|--------|---------|
| Breaking load (BL)      | 420 kN | 500 kN  |
| Safe working load (SWL) | 210 kN | 250 kN  |

|                       |                      |  |                        |
|-----------------------|----------------------|--|------------------------|
| Date: 01-06-2021      | Revision no.: 001    |  | Scale: 1:4             |
| Color/finish: Primed  | Weight: 15.4kg       |  | Drawn: K. van Puffelen |
| Material: Blank steel | Comment: units in mm |  | Checked: S. Saeys      |

Weldable Double Raised ISO Foundation H = 160mm



A4

Drawingno.:

AC-B2-203-160

© Van Doorn Container Parts BV. All parts contained in this document is protected by the intellectual works of van Doorn container parts BV. Any form of copying, manufacturing or distribution towards third parties is strictly forbidden without the written permission of Van Doorn Container Parts BV. All care has been taken to prevent incorrectness, however Van Doorn Container Parts BV cannot be held responsible for incompleteness resulting from information contained by this document. All rights are reserved by Van Doorn Container Parts BV.

[www.containerparts.nl](http://www.containerparts.nl) / [vandoorn@containerparts.nl](mailto:vandoorn@containerparts.nl) / +31 (0)10-4296030