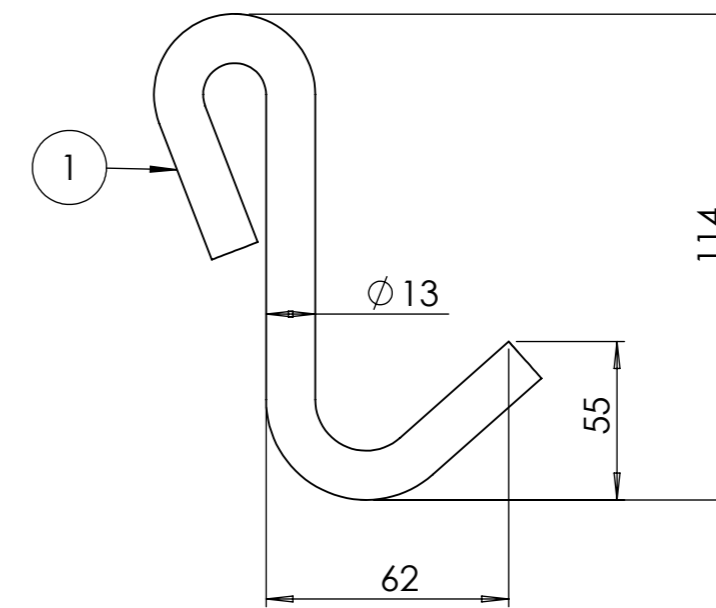
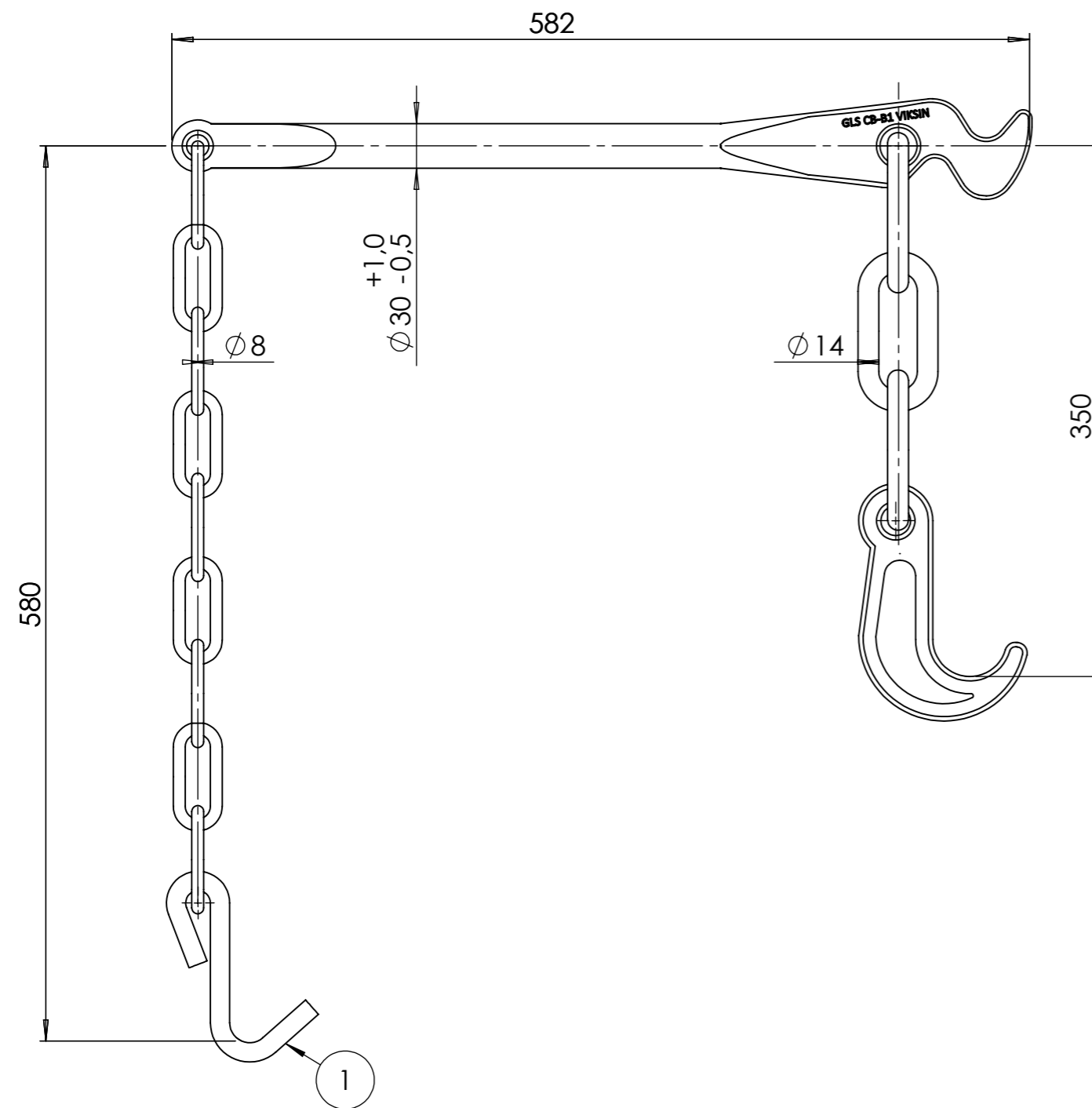


Load Type:	Force (kN):
Break load (BL)	200
Proof Load (PL)	125
Safe Working Load (SWL)	100



Date: 16-04-2021	Revision no.: 001		Scale: 1:4 / 1:2
Color/finish: Red, Primed/Painted	Weight: 5.8kg		Drawn: K. van Puffelen
Material: Steel	Comment: units in mm		Checked: S. Saeyns

Tension Lever MBL20T



A3

Drawingno.:
CB-B1_V1

© Van Doorn Container Parts BV. All parts contained in this document is protected by the intellectual works of van Doorn container parts BV. Any form of copying, manufacturing or distribution towards third parties is strictly forbidden without the written permission of Van Doorn Container Parts BV. All care has been taken to prevent incorrectness, however Van Doorn Container Parts BV cannot be held responsible for incompleteness resulting from information contained by this document. All rights are reserved by Van Doorn Container Parts BV.

www.containerparts.nl / vandoorn@containerparts.nl / +31 (0)10-4296030