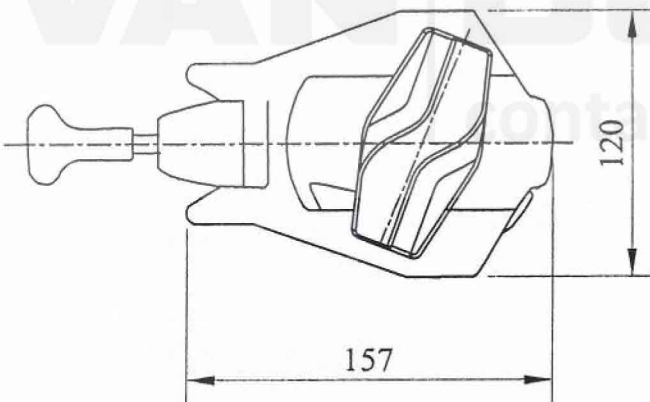
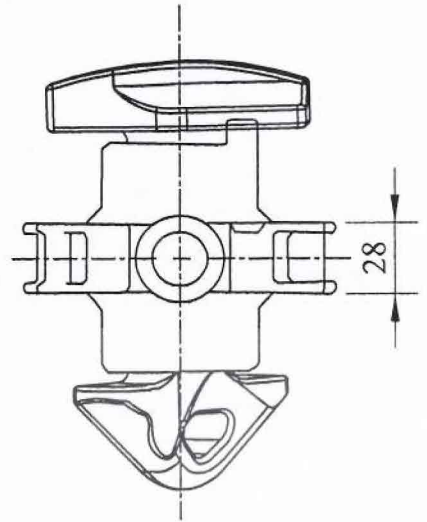
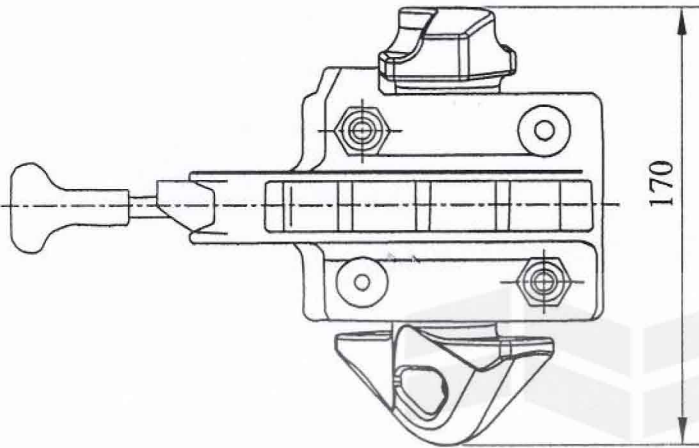


Semi-Automatic Twistlock



VAN DOORN
container parts bv

TYPE:T2.3D



Material: Casting steel
Finish: Hot dip galvanised
Weight: 5.3KG

M.B.L:Tension: 500KN
M.B.L:Shear: 420KN
M.B.L:Compression:2000KN