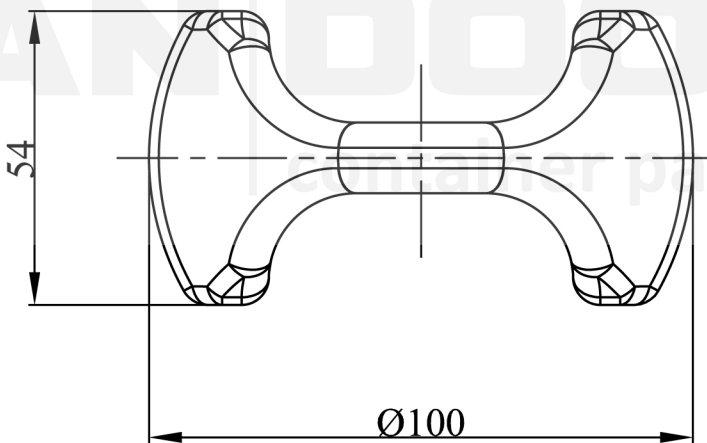
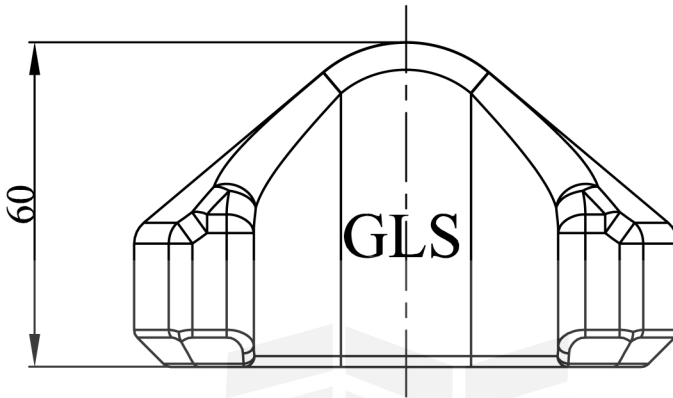


Weldable Cone

TYPE:AJ-A1



VAN DOORN
container parts bv



Material: Forged steel

Finish: Paint

Weight: 1.0KG

M.B.L:Tension: -

M.B.L:Shear: 420KN

M.B.L:Compression: 2000KN