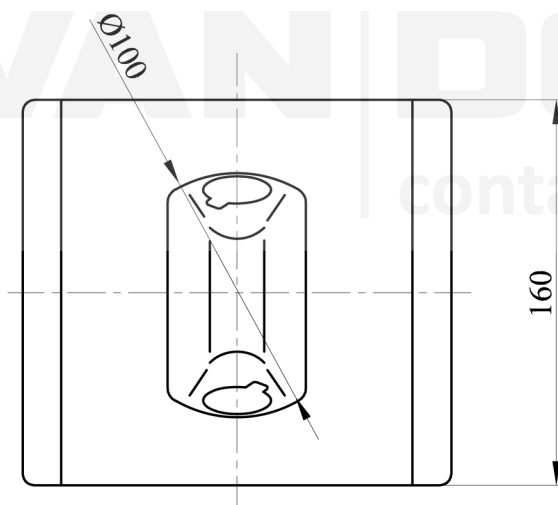
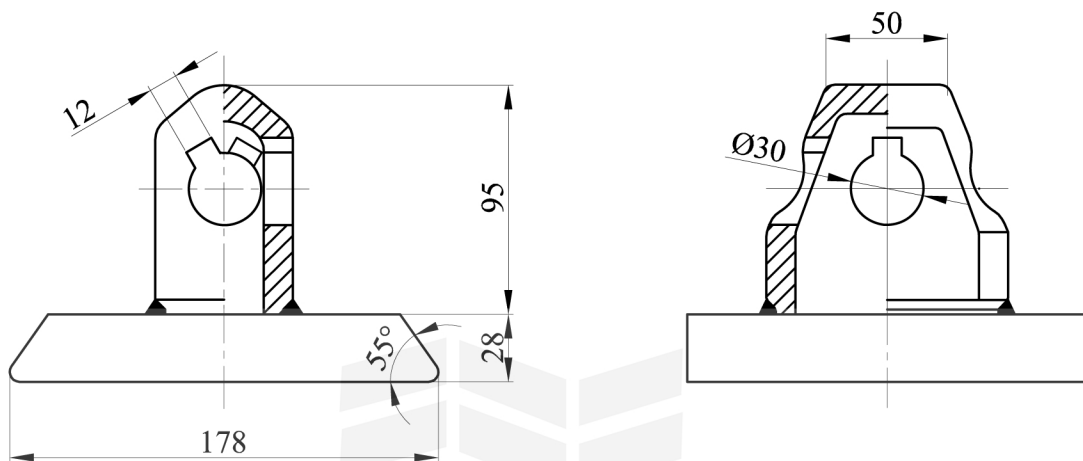


# Positioning Cone



TYPE:AJ-A1/C

**VAN DOORN**  
container parts bv



**Material:** Casting steel

**Finish:** Paint

**Weight:** 7.6KG

**M.B.L:Tension:** 500KN

**M.B.L:Shear:** 420KN

**M.B.L:Compression:** -