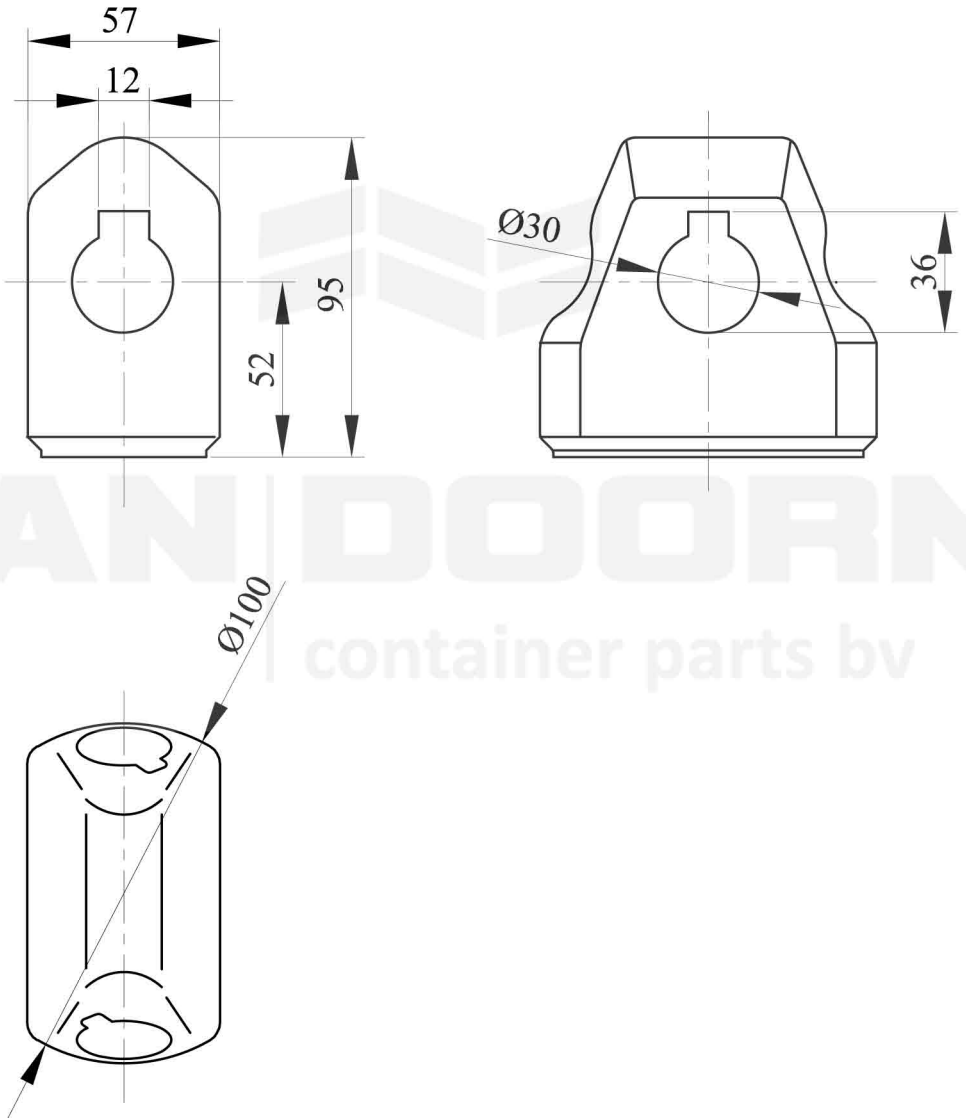


Lockable Cone



TYPE:AJ-A1/B

VAN DOORN
container parts bv



Material: Casting steel

Finish: Paint

Weight: 1.2KG

M.B.L:Tension: -

M.B.L:Shear: 420KN

M.B.L:Compression: 2000KN