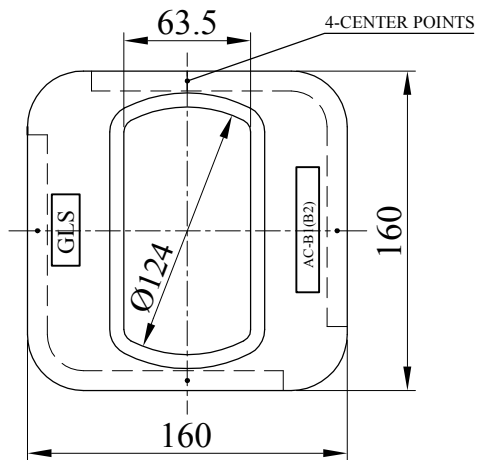
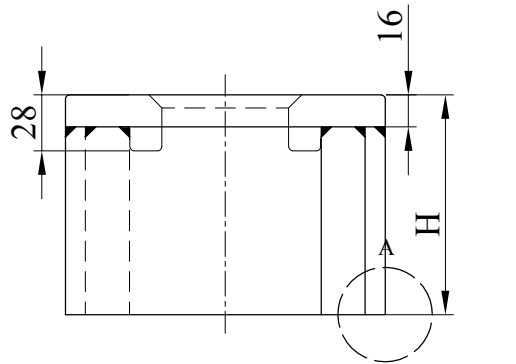
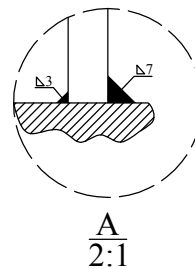


SINGLE RAISED FOUNDATION

AC-B1/D



Welding recommendation



TYPE	H	Weight
AC-B1/D/110	110	6.0 KG
Other height upon request		

LOADS	SHEAR [KN]	TENSION [KN]
BREAKING LOAD	420	500
SAFE WORKING LOAD	210	250